

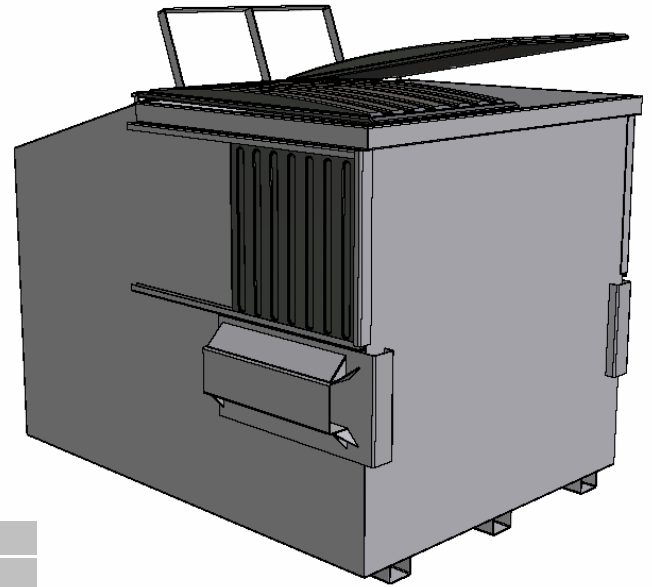
# Front Load Containers

## 10-Yard Capacity

Specifications	
Shipping Weight (approx)	1565 Lbs
Construction	
Side Walls	12 Ga. A-36 Steel
Floor	10 Ga. A-36 Steel
Top Ribs	1 1/2" x 3 1/2" x 3/16" Formed
Skids	3" x 5" x 3/16" Formed
Pockets	3/16" w/ 3/16" Back Plate
Drain & Plug	1 1/2" Diameter
Lids	Single or Double Wall Available

*All Specifications are subject to change without notice.*

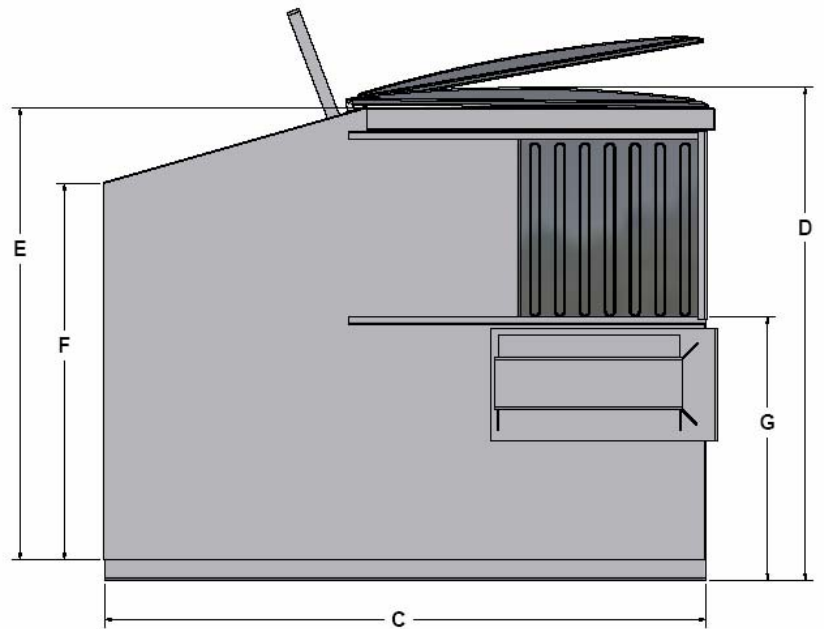
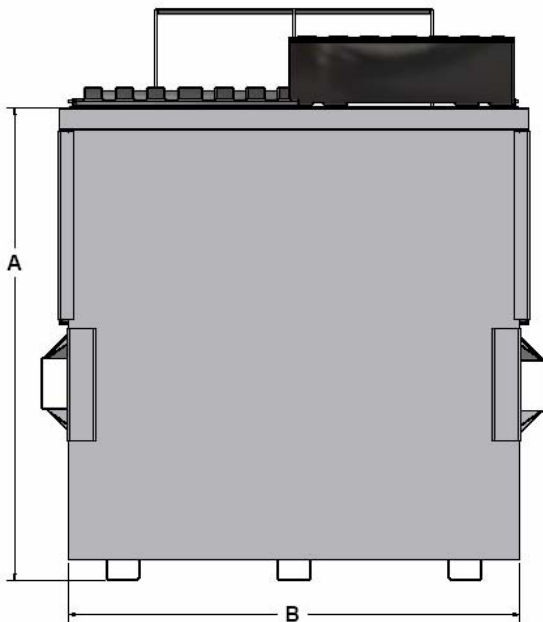
➤ Optional Rear Loading Available



### 10-Yard Front Load

Model	A	B	C	D	E	F	G
FL-10SD	75"	72"	96"	78 1/2"	72"	60"	42"

*Illustrations for reference only*



Distributor

385 Sumpter Road • Belleville • MI 48111-2932 • Phone (734) 699-5561 • Fax (734) 699-0360  
 P.O. Box 68 • Belleville • MI 48112-0068  
 On the Web at: <http://www.contractwelding.com>

08/07 REV1