

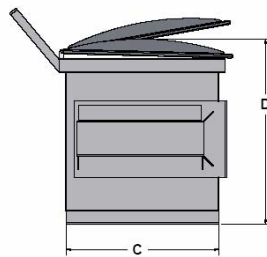
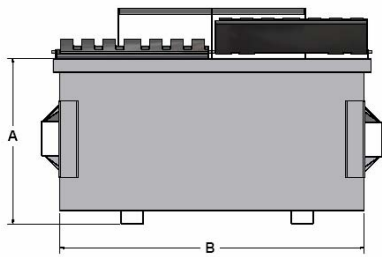
Front Load Containers

2, 3 & 4-Yard Capacities

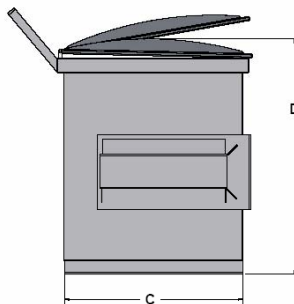
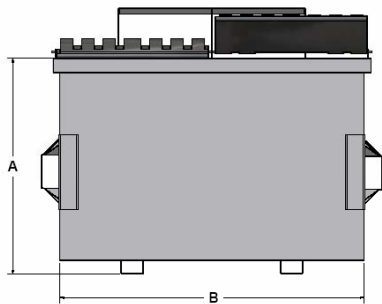
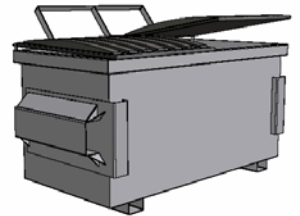
Specifications	
Model	Shipping Weight (approx)
FL-2	565
FL-3	700
FL-4	770
Construction	
Side Walls	12 Ga. A-36 Steel
Floor	10 Ga. A-36 Steel
Top Ribs	1 1/2" x 3 1/2" x 3/16" Formed
Skids	3" x 5" x 3/16" Formed
Pockets	3/16" w/ 3/16" Back Plate
Drain & Plug	1 1/2" Diameter
Lids	Single or Double Wall Available

All Specifications are subject to change without notice.

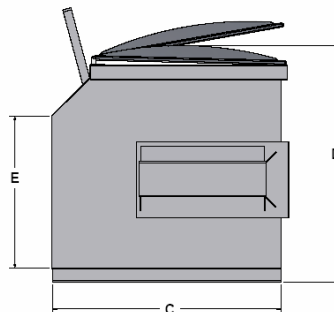
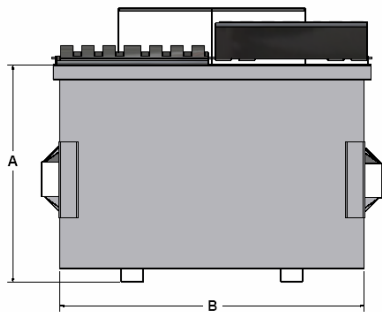
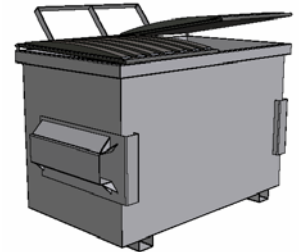
Model	A	B	C	D	E
FL-2	39"	72"	36"	43 3/4"	-
FL-3	51"	72"	42"	55 3/4"	-
FL-4	51"	72"	54"	55 3/4"	36"



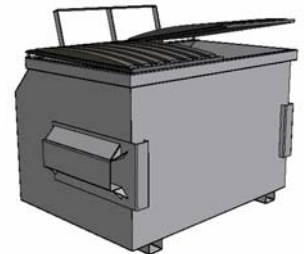
2-Yard Front Load



3-Yard Front Load



4-Yard Front Load



Illustrations for reference only



Distributor

385 Sumpter Road • Belleville • MI 48111-2932 • Phone (734) 699-5561 • Fax (734) 699-0360
 P.O. Box 68 • Belleville • MI 48112-0068
 On the Web at: <http://www.contractwelding.com>

08/07 REV1