

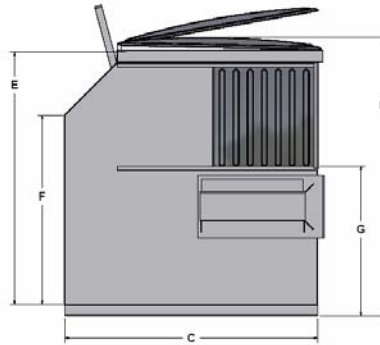
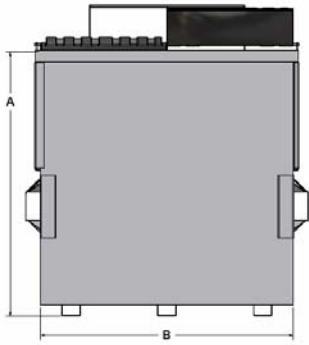
Front Load Containers

8-Yard Capacity

Specifications	
Shipping Weight (approx)	1365 Lbs
Construction	
Side Walls	12 Ga. A-36 Steel
Floor	10 Ga. A-36 Steel
Top Ribs	1 1/2" x 3 1/2" x 3/16" Formed
Skids	3" x 5" x 3/16" Formed
Pockets	3/16" w/ 3/16" Back Plate
Drain & Plug	1 1/2" Diameter
Lids	Single or Double Wall Available

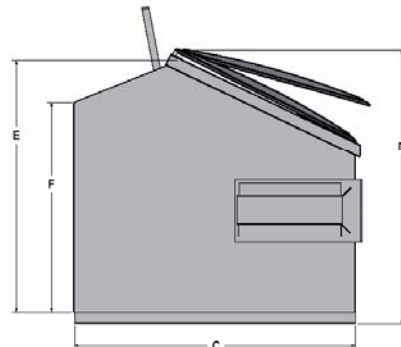
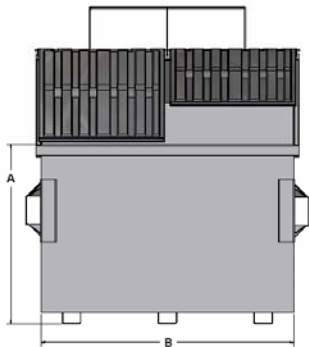
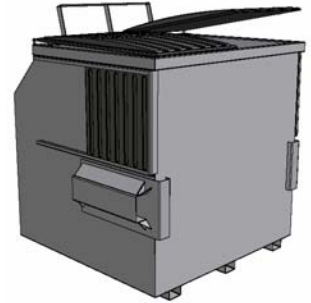
All Specifications are subject to change without notice.

Model	A	B	C	D	E	F	G
FL-8SD	75"	72"	72"	79 1/2"	72"	54"	42"
FL-8SL	51"	72"	80"	78"	72"	60"	-
FL-8LPS	51"	72"	96"	67"	60"	48"	-

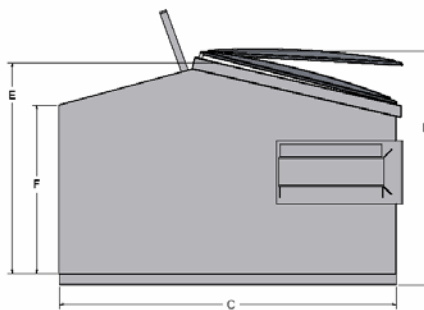
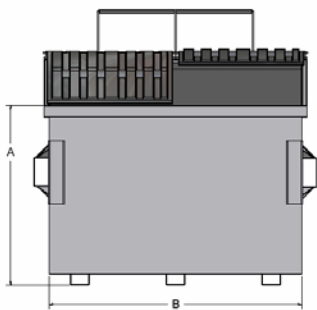


8-Yard Side Door Front Load

➤ 1 or 2 Side Doors Available



8-Yard Slant Front Load



8-Yard Low Profile Slant Front Load



Illustrations for reference only



Distributor

385 Sumpter Road • Belleville • MI 48111-2932 • Phone (734) 699-5561 • Fax (734) 699-0360
 P.O. Box 68 • Belleville • MI 48112-0068
 On the Web at: <http://www.contractwelding.com>

08/07 REV1